

IRIS w Aperture Specifications

Sky Factory provided external dimmable power supply (where specified)

Converts 90-305V AC to 24V DC

UL (U.S. and Canada) Recognized and CE Compliant

Maximum Watts (Useable) per power supply: 600 Watts

Available sizes: 40W, 60W, 80W, 100W, 150W, 185W, 240W,
320W, 480W, 600W

Size and quantity per installation calculated by Sky Factory

In-line switch between AC source and power supply required

Power supply must be mounted in dry locations.

Surface mountable

Multiple supplies may be required.

Power supply is specified for Sky Factory IRIS Series fixtures only.

Sunricher DMX 512 & RDM Decoder (where specified)

Receives power cables from IRIS light box and
signal wires from LPC1

Decoder must be Separated Extra Low Voltage (SELV)

Maximum Uout: 24VDC

Maximum Up: 5x(192)W

Open air environment recommended

Model and quantity per installation calculated by Sky Factory

Pharos LPC 1 (where specified)

Extension for TPS5 connectivity

Provides PoE power, DMX and DALI outputs, RS232 serial and
8 digital/analog inputs for triggering and integration

100-240V AC; DIN rail compatible

Open air environment recommended

Pharos Expert Switch (where specified)

Ethernet switch for LPS 5 to LPC 1

Provides power and data using PoE technology

Pharos TPS 5 wall control

12.7cm touch screen; 800x480 24bpp with on/off, dimming, and automated
Sunrise-to-Sunset Biomimicry cycles

Single or Multi-room control with custom User Interface

Wall mounted w Universal Mounting Plate (provided)

Fits UK, EU& US 1-Gang and UK 2-gang backbox (not provided)

35' (10.6m) Cat 6 cable provided. PoE from IR-24PS

Comes in Jet Black or Signal White

Meanwell HDR-60-24 power supply

Provides power to the Expert Switch

Universal input 85-264V AC (277V AC operational)

DIN rail mountable; Isolation class II

Conforms to BS EN/EN61000-3-2

IRIS w Aperture

Back Illuminated Sky Image Ceiling

IR-AP-CIR-3, IR-AP-CIR-4, IR-AP-CIR-5,

IR-AP-ELP-4X6, and IR-AP-ELP-5X8

Circadian illusion of nature:

The sunrise-to-sunset color shift and daylight variability fluctuations generated by IRIS are the result of its proprietary, cross-functional LED modules:

PRISM LED –

The Proprietary *index* for Spectrum Modulation (PRISM) combines seven distinct wavelengths that realistically generate the sky's natural color and light intensity changes from sunrise to sunset.

DiAL LED –

The Daylight *intensity* Algorithm (DiAL) modulates daytime light intensity by mimicking the subtle and organic fluctuations of clouds moving across the sky.

Both the PRISM and DiAL LED modules are custom-tailored by trained Sky Factory artists in accordance with the cloud patterns and spatial properties of each Open Sky Composition.

Sky Factory Luminaire:

Revelation and Aperture options –

24V DC

Junction box 5 port connector provided and required

Use 5-conductor supply cord with outside diameter between
10-13.462mm

Junction box terminal block wire sizes: 0.2-2.5mm²

For specific fixture details, see pages 2-4

To explore specific combinations of IRIS power supplies, control gear and Sky Factory luminaires, contact a Sky Factory SkyDesigner at 866.759.3228 or visit www.skyfactory.com

IRIS w Aperture Luminaires

1 Lighting (IRIS LED back-lit luminaire):

Circadian *illusion of nature* featuring location-specific, sunrise-to-sunset biomimicry and light intensity algorithms. For details, see page 1

Type IC, inherently protected

Strict LED binning standards assure consistent & high quality illumination

Polychromatic LED lamps positioned to match the composition of SkyTile image selection

State of the art back lit technologies provide uniform illumination

for the Luminous SkyTile graphic

Housed in a white powder-coated (non-ferrous) aluminum frame

Moisture and chemical resistant

Pre-wired junction box with a 5 port connector

2 Luminous SkyTile (lens):

Acrylic, Acrylite, or polycarbonate substrate

Durable and easy to clean non-glare matte finish

High resolution reproduction from proprietary digital image file specifically designed for sunrise-to-sunset biomimicry

Content selection and customization of Images a distinguishing feature of our products

See our image library on our website and/or speak with a Sky Factory SkyDesigner

Color-calibrated for daylight quality light source

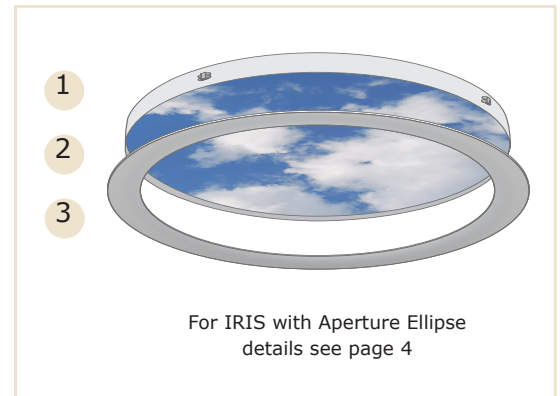
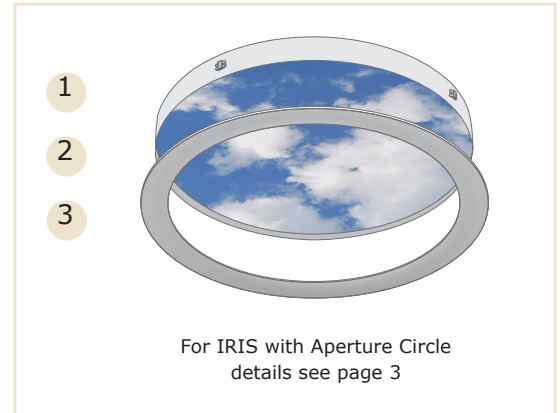
Fade resistant pigmented inks containing UV inhibitors

3 Aperture Trim:

Specifically designed to enhance visual depth

Precut to fit light box and snaps in place

Fire-rated MDF and highly durable white lacquer finish



Intended Use:

Photographic art luminaires are used for aesthetic purposes and are not suitable for room illumination or other purposes.

To explore specific combinations of IRIS Power Systems and Sky Factory luminaires, contact a Sky Factory SkyDesigner at 866.759.3228 or visit www.skyfactory.com

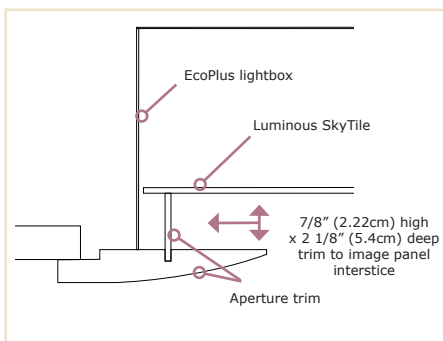
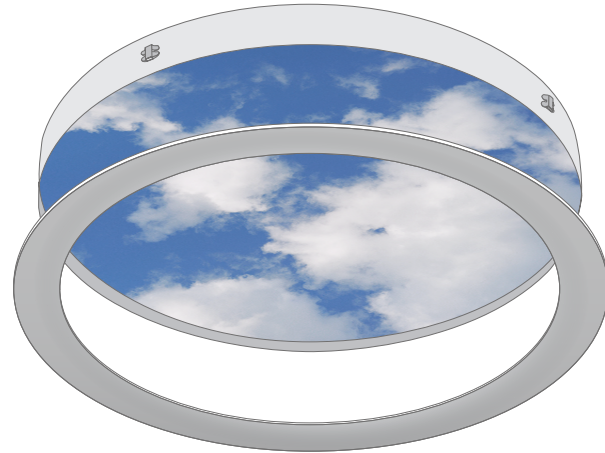
US Patent Information:

Our products, systems, and methods may be protected by one or more of the following US Patents: Pat. 9,164,011, Pat. 8,851,700, Pat. 7,959,316, and Pat. 7,481,550, as well as other patents pending.

IRIS Aperture Circle Series

Key Attributes:

- Large single image tile
- Enhanced illusion with trim to image panel interstice
- Non-ferrous, RF-free construction
- Minimal assembly



Model	Amps ¹	Power ¹ @ 24V DC	Weight	Dimensions
IR-AP-CIR-3	3	72	23 lbs (10.5kg) Per suspension point 5.8 lbs (2.7kg)	8 3/8" (21.3cm) high 32 1/2" (82.6cm) EcoPlus light box outside dim. 36" (92cm) trim outside dim.
IR-AP-CIR-4	5	120	40 lbs (18.2kg) Per suspension point 10 lbs (4.6kg)	8 3/8" (21.3cm) high 44 1/2" (113cm) EcoPlus light box outside dim. 48" (122cm) trim outside dim.
IR-AP-CIR-5	7.85	188.4	63 lbs (28.6kg) Per suspension point 15.8 lbs (7.2kg)	8 3/8" (21.3cm) high 56 1/2" (144cm) EcoPlus light box outside dim. 60" (153cm) trim outside dim.

¹Maximum potential power output shown. Programmed power output typically 30% less.

Ceiling Clearance:

Minimum space required above finished ceiling or grid: 8.375" (21.3cm)
 not including means to connect suspension to building structure

Configurations:

For sample configurations, go to skyfactory.com

Installation:

IRIS Aperture luminaires are designed to be recessed in a variety of grid and hard ceilings.

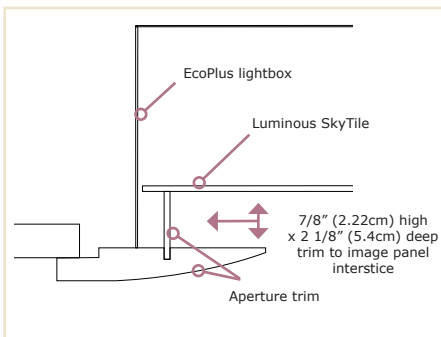
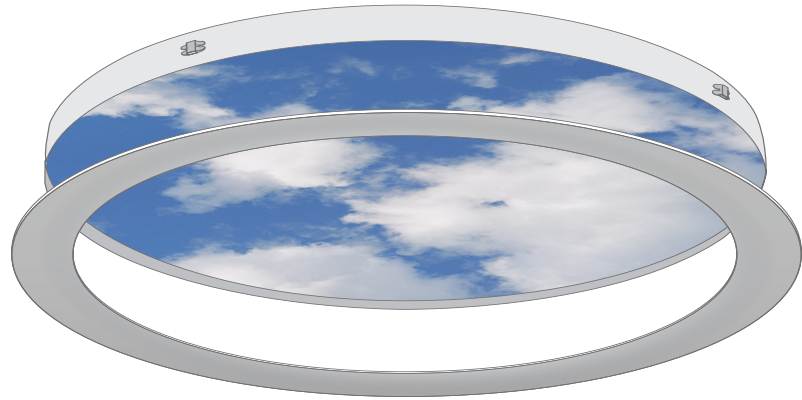
CE Compliant:

IRIS Aperture Series when used with
 IRIS Control Gear and Power Supplies
 CE Certified

IRIS Aperture Ellipse Series

Key Attributes:

- Large single image tile
- Enhanced illusion with trim to image panel interstice
- Non-ferrous, RF-free construction
- Minimal assembly



Model	Amps ¹	Power ¹ @ 24V DC	Weight	Dimensions
IR-AP-ELP-4x6	7.95	190.8	62 lbs (28.2kg) Per suspension point 15.5 lbs (7.1kg)	8 3/8" (21.3cm) high 44 1/2" x 68 1/2" (113cm x 174cm) EcoPlus light box outside dim. 48" x 72" (122cm x 183cm) trim outside dim.
IR-AP-ELP-5x8	9.91	237.84	101 lbs (45.9kg) Per suspension point 16.9 lbs (7.7kg)	8 3/8" (21.3cm) high 56 1/2" x 92 1/2" (144cm x 235cm) EcoPlus light box outside dim. 60" x 96" (153cm x 244cm) trim outside dim.

¹Maximum potential power output shown. Programmed power output typically 30% less.

Ceiling Clearance:

Minimum space required above finished ceiling or grid: 8.375" (21.3cm)
 not including means to connect suspension to building structure

Configurations:

For sample configurations, go to skyfactory.com

Installation:

IRIS Aperture luminaires are designed to be recessed in a variety of grid and hard ceilings.

CE Compliant:

IRIS Aperture Series when used with
 IRIS Control Gear and Power Supplies
 CE Certified